



HY-LITE WATER QUALITY INDICATOR SYSTEMS



Hy-Lite Water Quality Indicator



Remote Alarm Module



Relay Module

Hy-Lite Water Quality/Resistivity Indicator Systems incorporate exclusive Auto Temperature Compensation (ATC) and Surface Mount Technology (SMT) circuitry for unequaled accuracy. Proper TC design is especially important in high purity applications because the effect of temperature on resistivity/conductivity values varies significantly with purity level. For increased accuracy, the Hy-Lite ATC has been range-tuned to the appropriate TC factor for the particular setpoint resistivity.

A flashing red LED and integral audible alarm (non-alarm optional) insures fast response to changing water quality.

Hy-Lites can perform as a controller or remote indicator by connecting Relay and Remote Alarm Modules to the output port.

An insertion style resistivity cell with stainless steel electrodes allows for easy installation and rotational positioning in standard 1/2 or 3/4 inch threaded tees.

Hy-Lite Water Quality Indicator Lights

Setpoint	Hy-Lite with Alarm	Hy-Lite without Alarm
25 kilohm-cm	CH-HLA-025K	CH-HLS-025K
50 kilohm-cm	CH-HLA-050K	CH-HLS-050K
100 kilohm-cm	CH-HLA-100K	CH-HLS-100K
200 kilohm-cm	CH-HLA-200K	CH-HLS-200K
500 kilohm-cm	CH-HLA-500K	CH-HLS-500K
1 megohm-cm	CH-HLA-001M	CH-HLS-001M
2 megohm-cm	CH-HLA-002M	CH-HLS-002M
3 megohm-cm	CH-HLA-003M	CH-HLS-003M
5 megohm-cm	CH-HLA-005M	CH-HLS-005M

Specifications

- Accuracy $\pm 3\%$ @ 5 to 45°C (41 to 113°F)
- Repeatability $\pm 1\%$
- Temperature Compensation Automatic to 25°C (77°F) from 5 to 45°C
- Setpoints (single fixed) 25, 50, 100, 200, 500 kilohm-cm @ 25°C
1, 2, 3, 5 megohm-cm @ 25°C
- Visual Display Steady green and flashing red LEDs
- Audible Alarm..... Peizo-electric with membrane reset switch; > 70 dB @ 3 feet, 4 kHz $\pm 10\%$
- Circuitry Surface Mount Technology (SMT)
- Input Power 12 VDC (isolated) ; 30 mA
- Transformer..... Plug-in, class 2, UL & CSA approved, Input 110 VAC, 50-60 Hz / Output 12 VDC @ 200 mA, integral 6 ft cable (alternate transformers available)
- Hy-Lite to Hy-Lite Patchcord 8 ft with male termination
- Module Interconnection 4 wire, 26 gauge, UL4110 telephone cable with FCC 68 modular handset connectors
- Materials of Construction..... Wetted: 303 SS, ABS, polypropylene, Viton
Non-Wetted: ABS enclosure, polyester labels
- Operating Pressure..... 0 to 150 psi
- Fittings..... 1/2 or 3/4 inch MNPT provided
- Dimensions 6 inch length, 2 inch width, 2 inch height

Additional Equipment & Accessories

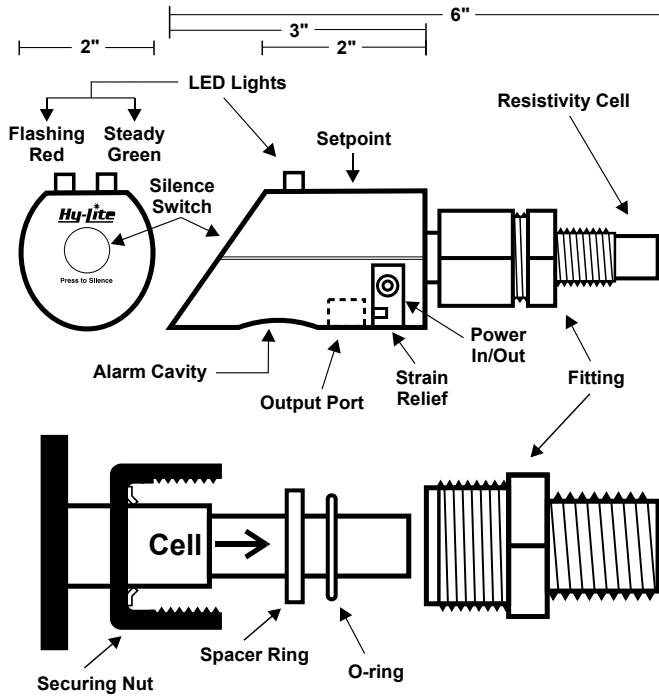
- CH-RMA Remote Alarm Module
- CH-RMR Relay Module
- CH-RMAR Remote Alarm Module with Re-Alarm
- CH-HLTR-A Transformer, US, 110 AC/12VDC, 8 ft
- CH-HLTR-B Tranformer, Euro, 230VAC/50Hz/12VDC
- CH-HLPC-8 Hy-Lite to Hy-Lite Patchcord, 8 ft
- CH-RPC-010 Hy-Lite to Remote Module Cable, 10 ft
- CH-RPC-050 Hy-Lite to Remote Module Cable, 50 ft
- CH-RPC-100 Hy-Lite to Remote Module Cable, 100 ft
- CH-RPC-200 Hy-Lite to Remote Module Cable, 200 ft

DI LIGHTS



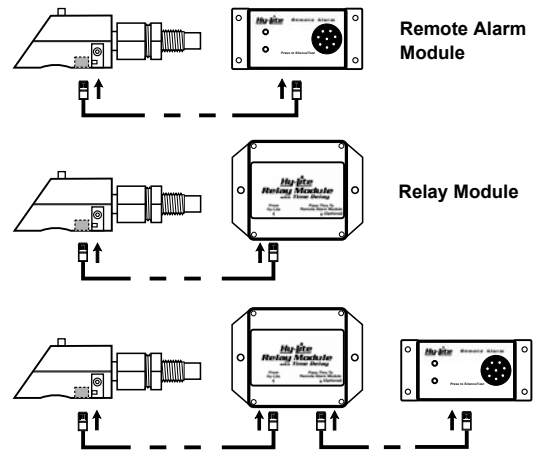
HY-LITE WATER QUALITY INDICATOR SYSTEMS

Identification Drawing

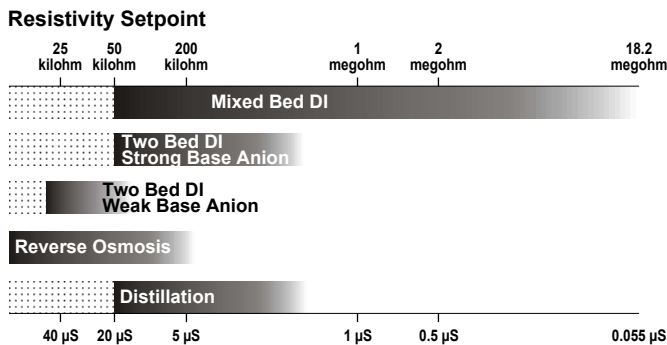


Control and Remote Alarm Capability

Hy-Lites have an output port for connection to Relay and/or Remote Alarm Modules at distances up to 700 feet! Telephone type cable/connectors result in fast and easy installation.



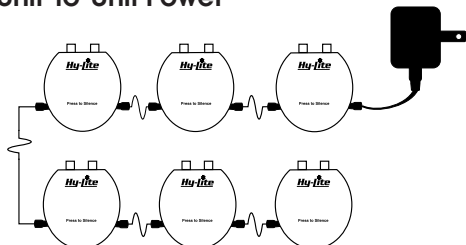
Application



The Remote Alarm Module has a peizo alarm, green and red LEDs, and silence switch to duplicate the operational status of the connected Hy-Lite. Both units act as a system—silencing the alarm at either location will silence both alarms. The alarm module is housed in a wall mountable enclosure and can be ordered with an optional auto re-alarm feature.

The Relay Module allows the Hy-Lite to perform as a controller of valves, custom alarm systems, etc. A 1 amp SPDT undedicated relay features an adjustable time delay to compensate for expected equipment rinse-up times. There is also a signal pass-thru feature permitting the relay module to be used with the remote alarm module.

Unit-to-Unit Power



Up to six (6) Hy-Lites can be powered with a single power supply by connecting the Hy-Lites to each other using patchcord CH-HLPC-8 (sold separately).