

UNDERDRAIN ASSEMBLIES



WATER'S EDGE™ CUSTOM FABRICATED HEADERS FOR STEEL TANKS

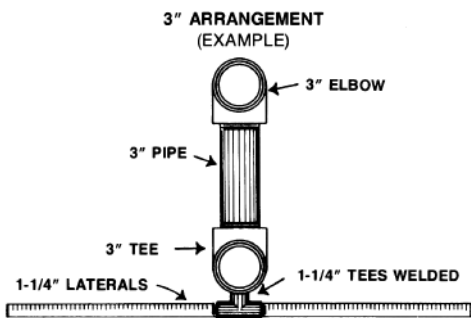


SWT's Water's Edge™ Header Systems are custom fabricated from non-corrosive FDA and NSF approved materials. For use in softeners, carbon filters, multimedia filters, and waste water applications, they are available for tanks from 48 to 120 inches in diameter and are optimized for your application—whether you need 3.5 or 20 gpm/sq.ft.

Water's Edge Header Systems are available in a variety of materials and are resistant to brine, acids, caustics, oxidizing agents, and chlorine. They are designed to spread flow evenly across the filter bed to eliminate dead zones and to provide proper and even lift and separation during backwash.

Technical Specifications:

- Max. Recommended Operating Temperature 140°F (60°C)
- Max. Recommended Operating Pressure 150 psi
- ΔP @ 5 ft/sec Velocity ≤ 3 psi
- Materials of Construction (Standard) PVC, Buna-N
- Materials of Construction (Available) CPVC, PP, PVDF, HDPE, etc.
- Slot Width (Standard) 0.010 inch (0.254 mm)
- Slot Width (Available) 0.008, 0.012, 0.016, 0.020, 0.032, 0.125 inch, and larger



Model Number	Tank Diameter Inches	Pipe Size Inches
SM-HS483	48	3
SM-HS543	54	3
SM-HS544	54	4
SM-HS603	60	3
SM-HS604	60	4
SM-HS663	66	3
SM-HS664	66	4
SM-HS724	72	4
SM-HS726	72	6
SM-HS844	84	4
SM-HS846	84	6
SM-HS964	96	4
SM-HS966	96	6
SM-HS1084	108	4
SM-HS1086	108	6
SM-HS1204	120	4
SM-HS1206	120	6

Custom sizes, configurations, and materials are our specialty. Contact SWT with your requirements.