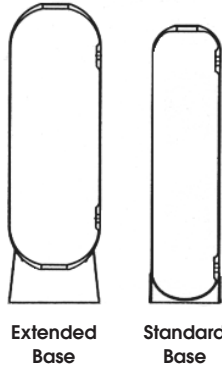


# FRP PRESSURE TANKS



## MOLDED POLYESTER OR VINYLESTER



Each individual FRP molded tank can be custom built per your special requirements. Special molded construction allows for a variety of hole sizes and locations — top, bottom, side walls, or dome curve. When your tanks need to be customized for speciality designed systems, FRP is the way to go. FRP molded tanks are available in two types of fiberglass:

- **Standard Polyester** for most filtration/softening applications
- **Special Vinylester** for increased chemical resistance
- Certified to NSF/ANSI Standard 61
- Maximum Operating Pressure: 150 psi
- Max. Temp: Polyester 120°F; Vinylester 150°F
- 10 year warranty for 6 to 13 inch vessels
- 5 year warranty for 14 to 16 inch vessels
- Warranties are for water treatment applications only.

Part Number**	Tank Size Inches	Top Opening Inches	Tank Volume			Weight, Lbs.		Case Qty.
			Cu. Ft.	Gallons	Liters	Unit	Case	
TS0618F2(?)*	6 x 18	2.5	0.31	2.3	8.7	—	—	66
TS0724F2(?)*	7 x 24	2.5	0.51	3.8	14.4	3.9	110	28
TS0744F2(?)*	7 x 44	2.5	0.97	7.3	27.6	7.2	173	24
TS0835F2(?)*	8 x 35	2.5	0.95	7.1	26.9	9.8	196	20
TS0840F2(?)*	8 x 40	2.5	1.09	8.2	31.0	9.5	190	20
TS0844F2(?)*	8 x 44	2.5	1.21	9.1	34.4	10.7	214	20
TS0935F2(?)*	9 x 35	2.5	1.18	8.8	33.3	11.3	159	14
TS0940F2(?)*	9 x 40	2.5	1.38	10.3	39.0	12.0	168	14
TS0948F2(?)*	9 x 48	2.5	1.67	12.5	47.3	12.8	205	16
TS1019F2(?)*	10 x 19	2.5	0.68	5.1	19.3	—	—	24
TS1030F2(?)*	10 x 30	2.5	1.14	8.5	32.2	12.0	192	16
TS1035F2(?)*	10 x 35	2.5	1.39	10.4	39.4	13.0	156	12
TS1040F2(?)*	10 x 40	2.5	1.62	12.1	45.8	13.5	162	12
TS1044F2(?)*	10 x 44	2.5	1.80	13.5	51.0	14.7	177	12
TS1047F2(?)*	10 x 47	2.5	1.94	14.5	55.0	15.4	216	14
TS1054F2(?)*	10 x 54	2.5	2.22	16.6	63.0	16.9	271	16
TS1229F2(?)*	12 x 29	2.5	1.90	14.2	53.7	17.0	187	11
TS1248F2(?)*	12 x 48	2.5	3.14	23.5	89.0	20.8	188	9
TS1248F4(?)*	12 x 48	4.0	3.14	23.5	89.0	20.8	188	9
TS1354F2(?)*	13 x 54	2.5	3.71	27.7	105.0	32.3	291	9
TS1354F4(?)*	13 x 54	4.0	3.71	27.7	105.0	32.3	291	9
TS1465F4(?)*	14 x 65	4.0	5.31	39.7	150.3	42.5	383	9
TS1623F4(?)*	16 x 23	4.0	1.94	14.5	55.0	23.0	—	—
TS1633F4(?)*	16 x 33	4.0	3.00	22.4	85.0	30.0	—	—
TS1653F4(?)*	16 x 53	4.0	4.90	36.7	138.8	34.0	—	—
TS1665F4(?)*	16 x 65	4.0	6.45	48.3	182.8	49.0	441	9

\* Specify color: 'B'=Blue; 'K'=Black; 'N'=Natural  
 \*\* For Vinylester, substitute the 'F' in the Part Number with 'V'.

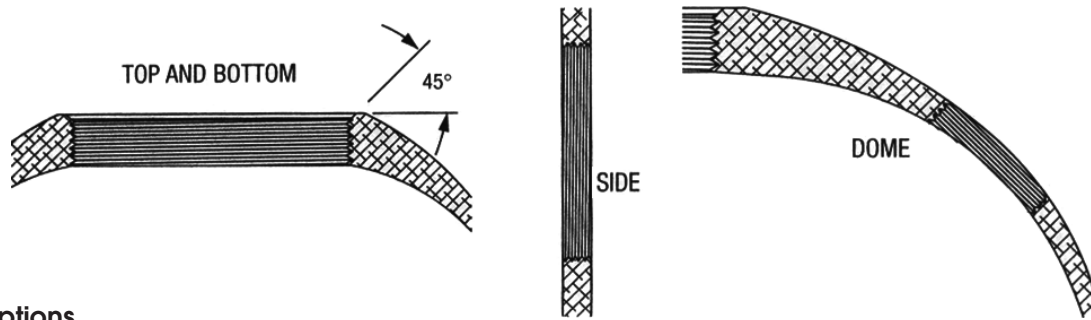
NOTES:  
 All tanks ordered with bottom opening should be ordered with extended base.

(?) TANK OPTIONS (See next page for details.)  
**Bottom holes, dome holes, and side holes** available.  
**Extended base** available for 12, 13, 14, and 16 inch diameter tanks.

# FRP PRESSURE TANKS



## MOLDED POLYESTER OR VINYLESTER



### FRP Tank Options (X = Available)

Material of Construction	6 inch	7 inch	8 inch	9 inch	10 inch	12 inch	13 inch	14 inch	16 inch
Polyester	X	X	X	X	X	X	X	X	X
Vinylester	X	X	X	X	X	X	X	X	X

Top Opening	6 inch	7 inch	8 inch	9 inch	10 inch	12 inch	13 inch	14 inch	16 inch
2.5" - 8 NPSM Thread	X	X	X	X	X	X	X		
4" - 8 UN Thread				X	X	X	X	X	X
6" - 8 UN Thread									X

Bottom Opening	6 inch	7 inch	8 inch	9 inch	10 inch	12 inch	13 inch	14 inch	16 inch
1" NPT Thread	X	X	X	X	X				
2.5" NPSM Thread	X	X	X	X	X	X	X		
4" - 8 UN Thread				X	X	X	X	X	X
6" - 8 UN Thread								X	X

Side Opening	6 inch	7 inch	8 inch	9 inch	10 inch	12 inch	13 inch	14 inch	16 inch
0.75" NPT Thread	X	X	X	X	X	X	X	X	
1" NPT Thread			X	X	X	X	X		
1.5" NPT Thread								X	X
1.5" NPSM Thread								X	X
2" NPSM Thread									X

Dome Opening	6 inch	7 inch	8 inch	9 inch	10 inch	12 inch	13 inch	14 inch	16 inch
0.75" NPT Thread	X	X	X						
1.25" NPSM Thread				X	X	X	X	X	X

Base	6 inch	7 inch	8 inch	9 inch	10 inch	12 inch	13 inch	14 inch	16 inch
Standard	X	X	X	X	X	X		X	X
Compression							X		
Extended						X	X	X	X