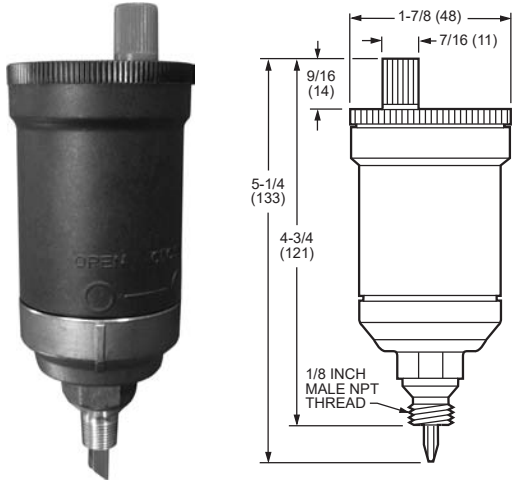


AIR VENTS



AUTOMATIC AIR VENT



Dimensions in inches (mm)

SPECIFICATIONS

Max. Operating Pressure 90 psi (6 bar)
 Max. Operating Temperature 230°F (110°C)
 Connection 1/8 inch MNPT

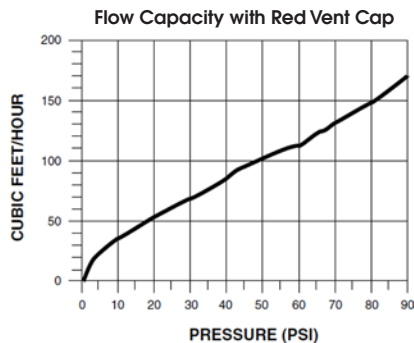
MATERIALS

- Brass connection components
- High grade, heat resistant synthetic material float assembly, float housing, and lid
- Heat resistant elastomer seal components

OPTIONAL

Safe Waste Connector (connects top vent to 1/4 inch OD tube)

Note: Air vent is not for use in steam systems.



NOTE: Flow capacity indicated is for an automatic air vent with the red vent cap correctly installed and operational. Additional capacity may be obtained by removing the red vent cap and installing a connection between the vent discharge and the drain using a Safe Waste Connector (sold separately).

Automatic Air Vent (P/N WH-AV125-50) purges air from high pressure mains and equipment in hot or cold closed water systems.

The vacuum break on the bottom of the valve prevents an air lock from forming and encourages air to be released from water. The air vent can be fitted anywhere in the positive pressure side of the system where air is likely to be trapped.

Air vents should always be fitted in an accessible area, which can be seen and serviced easily.

FEATURES

- Built-in shut-off valve enables service without draining the system
- Vacuum break ensures air collection
- Removable lid and float assembly for easy cleaning
- Corrosion-resistant and chemical-resistant internal parts
- Expanding discs under red vent cap prevent leakage
- Maintains quiet and efficient operation.

FUNCTION

Inside the automatic air vent there is a float which operates a lever according to the water level. When there is no water in the housing, then the float opens the valve. Air can therefore be vented from the system during filling. When the system has been filled, the inflowing water closes the valve and the vent is shut off.

Water usually contains oxygen which bubbles off during operation of the system and collects at the highest point. The automatic air vent must therefore be fitted at the air collection position.

The closing force of the float valve is very small and therefore water-borne dirt can prevent the valve from fully closing, which results in the valve dripping slightly. Expanding discs are built into the valve to prevent this dripping from occurring. These discs expand when wet and then shut off a secondary valve, thereby preventing leakage.

AIR VENTS



INSTALLATION AND SERVICE

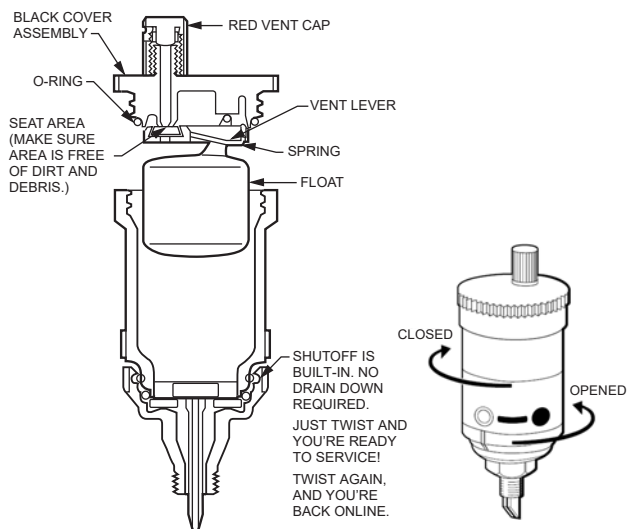
INSTALLATION

CAUTION: Do not use tools to adjust the air vent or damage to the vent may result. Use hands only to adjust the vent. A wrench may be used only on the hex during installation.

Location: Install the air vent on the positive side of the system at the point where air will accumulate. This is usually the highest point of the system.

Installation Procedure

1. Fit the air vent in the system at a location as specified above.
2. Hand tighten the air vent until the vent fits tightly to the location. Use a wrench to securely tighten the hex.
3. If a safety drain connection is desired, install a pipe between the vent discharge and the drain using a Safe Waste Connector.
4. Make sure that the red vent cap is securely tight and that the valve is in the closed position by turning the vent body clockwise. Use hands only to avoid damaging the vent.
5. With the valve in the closed position, flush the system as required to remove dirt, debris, and contaminants.
6. Fill the system with the appropriate solution.
7. Operate the air vent by turning the vent body counterclockwise to the open position. Use hands only.
8. Make sure the red vent cap is tightened all the way to the stop position for proper operation. Use hand only to tighten.



SERVICE

CAUTION: The air vent may become hot due to system temperature extremes. Use caution when adjusting the vent to prevent burning hands.

The air vent may become accumulated with dirt in the seat area of the float assembly, which may cause the vent to malfunction. Periodic cleaning is recommended to prevent the vent from malfunctioning.

Cleaning Procedure

1. Turn the vent body clockwise to the closed position, isolating the vent from the system.
2. Remove the float assembly by unscrewing the top of the body and lifting up the black cover assembly.

CAUTION: Make sure not to bend the spring on the float assembly or damage to the vent may result.

3. Carefully clean the seat area of any dirt or debris.
4. Carefully clean any dirt or debris from inside the vent chamber.
5. Replace the float assembly, making sure that the O-ring is seated properly.
6. Replace the black cover assembly on the vent body. Using hands only, turn until handtight.
7. Operate the air vent by turning the vent body counterclockwise to the open position. Use hands only.
8. Make sure the red vent cap is tightened all the way to the stop position for proper operation. Use hands only to tighten.

TROUBLESHOOTING

Problem	Action
The air vent is not venting air, or there is too much air in the system.	<ol style="list-style-type: none"> 1. Check the red vent cap; make sure the vent passage is open (disks are not swelled). 2. Check that the valve is in the open position. 3. Make sure that the float is attached to the vent lever.
Water is leaking from the air vent.	<ol style="list-style-type: none"> 1. Make sure the red vent cap is tightened all the way to the stop position. 2. Adjust the valve to the closed position by turning the vent body clockwise. 3. Clean the vent as described in the Service section. 4. If internal parts appear damaged or deteriorated, replace the cover assembly.