



MICRONIZER VENTURI AIR INJECTOR INSTRUCTIONS

Micronizer is designed to be installed in the water line just prior to the inlet of the hydropneumatic tank it serves. This mechanism is a venturi that draws air into the water line through the air inlet/check valve combination to continually charge the water with air. Excess air in the tank is relieved through an AVC assembly or an optional air vent installed in the tank.

Micronizer is shipped with the indicator arrow set at 15 degrees on the dial. This slightly closes the larger of the two open holes inside to create a pressure differential that allows air to be drawn into the water line. The amount of air drawn in and draw time is adjusted with the adjustment knob.

Do not assume a 30 degree setting means a 30% suction time.

Properly installed and adjusted, Micronizer will draw air for 30 to 50% of the pump run time. For example, if the pump run time is one minute, a suction can be felt at the air inlet hole for 20 to 30 seconds.

INSTALLATION

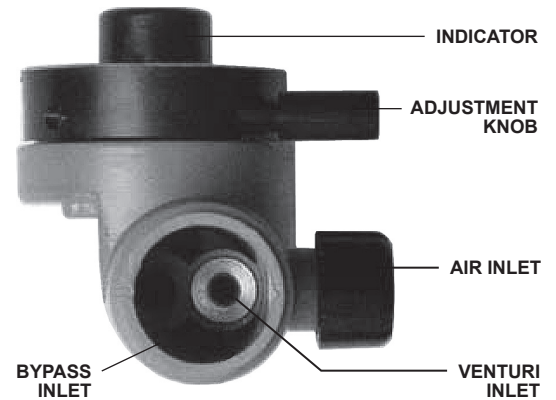
Location: Install in the water line just before going into the hydropneumatic tank.

Note: Prior to installation, be sure the pump delivers a minimum of 5 gpm.

1. Install Micronizer in the water line between the pump and the tank, or just ahead of the tank.
2. Turn on the pump and let the pump cycle several times.
3. Place a finger over the air inlet hole and time the length of suction. The goal is to achieve suction for 30 to 50% of the pump run time.

Example: If the pump run time is one minute, suction through the air inlet hole should be felt for 20 to 30 seconds. Adjust upwards to increase, downwards to decrease.

4. Following installation and adjustment, several days may be required for sufficient air to enter the tank and operate most efficiently.



Part Number: IM-SSF1

Pressure Range: 10 to 60 psi

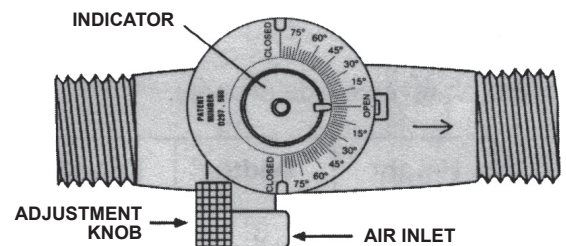
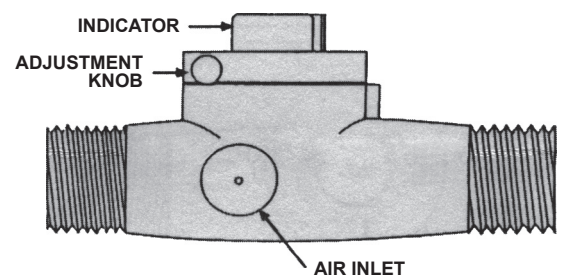
Flow Range: 5 to 15 gpm

Connection Size: 1 inch MNPT

Height: 3.25 inch

Width: 3 inch

Length: 5.5 inch





MICRONIZER VENTURI AIR INJECTOR INSTRUCTIONS

NOTES:

Micronizer air draw is adjusted with the adjustment knob. DO NOT ATTEMPT TO ADJUST THE UNIT WITH THE INDICATOR DIAL— GEAR DAMAGE WILL RESULT! The indicator dial shows the position of the built-in bypass valve (i.e. percent open or closed). It does not indicate the amount of air draw. Note: Increasing the adjustment to the closed position forces more water through the venturi and increases the pressure drop through the micronizer.

Micronizer air draw is determined by the overall (total) pump run time. Each time the micronizer is adjusted, the pump time MUST be rechecked and the air draw at the micronizer MUST be monitored and timed until the air draw time is 30 to 50 percent of the overall pump time.

The pointer on the dial indicates that the micronizer is fully open when it is in line with the plumbing (12 o'clock position). This position will give the least amount of air draw.

When the pointer on the dial is in the 90 degree position (3 o'clock or 9 o'clock), the micronizer will draw the maximum amount of air.

The dial will go left or right and give the same results.

The markings on the dial are for a reference only and DO NOT INDICATE THE PERCENTAGE OF AIR DRAW.

The air does not vent at every pump cycle as some may expect to happen. If the system is working correctly, the excess air will only vent when the float on the air volume control opens to allow this to happen. The float on the air volume control will open only when the air in the upper portion of the pressure tank increases to the point that the water level is forced lower than the float allowing the vent on the float to open. Once this excess air is allowed to vent to a safe location, the process starts all over.

TROUBLESHOOTING:

If the micronizer will not draw air...

1. Check to make sure that the unit is installed with the arrow facing the direction of the flow.
2. Check the system flow rate as described above.
3. Check to see that the system pressure does not exceed 60 psig.
4. Remove the micronizer and check for obstructions.
5. If the micronizer leaks at the draw hole, depressurize the system and remove the cap. Remove the rubber check ball and rinse it in water. Make sure that no grit is stuck in the ball check. Reinstall the cap and DO NOT OVERTIGHTEN.