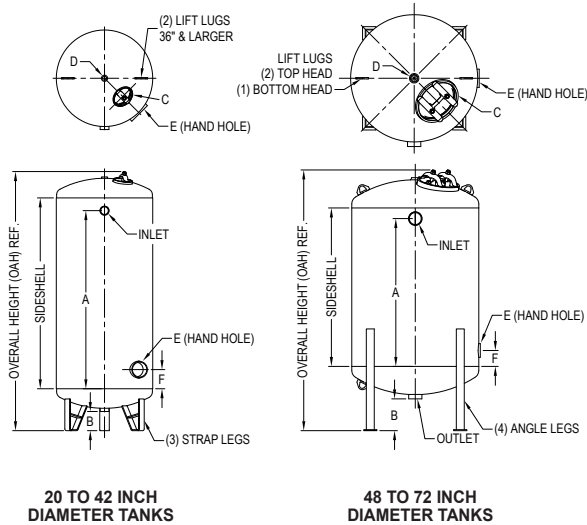


STEEL TANKS



LINED AND PRIMED/COLORED STEEL TANKS NON-CODE



SWT's Non-Code Steel Tanks are UL classified for drinking water system components in accordance with Standard NSF/ANSI 61-(1992) 7N44. They come fully lined and primed/colored to meet NSF/ANSI-61 for coatings.

These steel tanks have two large top and bottom access openings to simplify distributor system assembly; inlet and outlet openings located at the top-side wall and center-bottom of the tank; and a top-center spud to bleed air. All tanks larger than 36 inches in diameter come standard with lift lugs and a 12 x 16 inch covered manway. SWT's steel tanks are durable, rustproofed, and built to last. Made in USA.

- Meets all requirements for both FDA and US Dept. of Agriculture
- Flanged and Dished (F&D) domes standard on non-code tanks
- 100 psi max. operating pressure, 140°F max. operating temperature
- Standardized equipment means faster shipping
- Custom designs available (see Form 1194C - Steel Tank Config)

Part Number	Tank Size Inches	Overall Height Inches	Total Volume Cu.Ft.	Head* Volume Cu.Ft.	Inlet and Outlet	Dim A Inches	Dim B Inches	Dim C Inches	Dim D Inches	Dim E Inches	Dim F Inches	Approx. Weight Lbs.
UQ-2054(?) -2B	20 x 54	70	10	0.5	2" NPS	50	6	4 x 6	1" NPT	4 x 6	6	155
UQ-2060(?) -2B	20 x 60	76	11	0.5	2" NPS	55.75	6	4 x 6	1" NPT	4 x 6	6	170
UQ-2454(?) -2B	24 x 54	72	15	0.8	2" NPS	50	6	4 x 6	1" NPT	4 x 6	6	184
UQ-2460(?) -2B	24 x 60	78	17	0.8	2" NPS	55.75	6	4 x 6	1" NPT	4 x 6	6	197
UQ-3054(?) -2B	30 x 54	76	25	1.9	2" NPS	50	6	4 x 6	1" NPT	4 x 6	6	245
UQ-3060(?) -2B	30 x 60	82	27	1.9	2" NPS	55.75	6	4 x 6	1" NPT	4 x 6	6	255
UQ-3054(?) -3B	30 x 54	79	25	1.9	3" NPT	50	9	4 x 6	1" NPT	6 x 8	8	260
UQ-3060(?) -3B	30 x 60	85	27	1.9	3" NPT	55.75	9	4 x 6	1" NPT	6 x 8	8	275
UQ-3660(?) -3B	36 x 60	89	40	3.0	3" NPT	55.75	9	12 x 16	1" NPT	6 x 8	7	465
UQ-3672(?) -3B	36 x 72	101	47	3.0	3" NPT	67.75	9	12 x 16	1" NPT	6 x 8	7	575
UQ-4260(?) -3B	42 x 60	91	55	4.6	3" NPT	55.75	9	12 x 16	1" NPT	6 x 8	7	595
UQ-4272(?) -3B	42 x 72	103	65	4.6	3" NPT	67.75	9	12 x 16	1" NPT	6 x 8	7	695
UQ-4860(?) -4B	48 x 60	99	76	7.0	4" NPT	55.75	12	12 x 16	2" NPS	4 x 6	6	840
UQ-4872(?) -4B	48 x 72	111	88	7.0	4" NPT	67.75	12	12 x 16	2" NPS	4 x 6	6	1159
UQ-5460(?) -4B	54 x 60	101	98	9.7	4" NPT	55.75	12	12 x 16	2" NPS	4 x 6	6	1000
UQ-5472(?) -4B	54 x 72	113	113	9.7	4" NPT	67.75	12	12 x 16	2" NPS	4 x 6	6	1430
UQ-6060(?) -4B	60 x 60	103	122	12.9	4" NPT	55.75	12	12 x 16	2" NPS	4 x 6	6	1385
UQ-6072(?) -4B	60 x 72	115	142	12.9	4" NPT	67.75	12	12 x 16	2" NPS	4 x 6	6	1505
UQ-6660(?) -4B	66 x 60	103	147	15.3	4" NPT	55.75	12	12 x 16	2" NPS	4 x 6	6	1865
UQ-6672(?) -4B	66 x 72	115	171	15.3	4" NPT	67.75	12	12 x 16	2" NPS	4 x 6	6	2040
UQ-7260(?) -4B	72 x 60	107	182	21.4	4" NPT	55.75	12	12 x 16	2" NPS	4 x 6	6	2130
UQ-7272(?) -4B	72 x 72	119	210	21.4	4" NPT	67.75	12	12 x 16	2" NPS	4 x 6	6	2320

(?) Substitute P for epoxy lined and primed; or C for epoxy lined and finish coated in safety blue epoxy. Example: UQ-2460P-2B is 24 x 60 lined and primed.

* Head Volume includes the straight flange of the head.

The above listed tanks are usually available in 7 to 10 days. Custom tanks (see Form 1194C - Steel Tank Config) take 4 to 6 weeks.

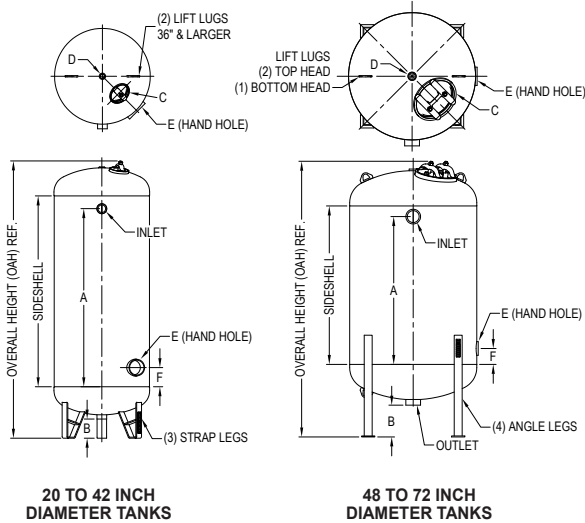
Flanges and other sized openings also available (see Form 1194C - Steel Tank Config).

Galvanized and stainless steel tanks also available. Contact your SWT representative for more information.

STEEL TANKS



LINED AND PRIMED/COLORED STEEL TANKS ASME CODE



SWT's ASME Code Steel Tanks are produced in accordance with Section VIII, Division 1 of the ASME Boiler and Pressure Vessel Code. They come fully lined and primed/colored to meet NSF/ANSI Standard 61 for coatings.

These steel tanks have two large top and bottom access openings to simplify distributor system assembly; FPT x FPT full coupling inlet and outlet openings located at the top-side wall and center-bottom of the tank; and a top-center spud to bleed air. All tanks larger than 36 inches in diameter come standard with lift lugs and a 12 x 16 inch covered manway. SWT's steel tanks are durable, rustproofed, and built to last. Made in USA.

- Meets all requirements for both FDA and US Dept. of Agriculture
- 2:1 semi-elliptical domes standard on ASME code tanks
- 100 psi max. operating pressure, 140°F max. operating temperature
- Standardized equipment means faster shipping
- Custom designs available (see Form 1194C - Steel Tank Config)

Part Number	Tank Size Inches	Overall Height Inches	Total Volume Cu.Ft.	Head* Volume Cu.Ft.	Inlet and Outlet	Dim A Inches	Dim B Inches	Dim C Inches	Dim D Inches	Dim E Inches	Dim F Inches	Approx. Weight Lbs.
UQ-2054(?) -2B-ASME	20 x 54	75	11	0.8	2" NPT	50	6	4 x 6	1" NPT	4 x 6	6	140
UQ-2060(?) -2B-ASME	20 x 60	81	12	0.8	2" NPT	55.75	6	4 x 6	1" NPT	4 x 6	6	159
UQ-2454(?) -2B-ASME	24 x 54	77	16	1.3	2" NPT	50	6	4 x 6	1" NPT	4 x 6	6	195
UQ-2460(?) -2B-ASME	24 x 60	83	18	1.3	2" NPT	55.75	6	4 x 6	1" NPT	4 x 6	6	210
UQ-3054(?) -2B-ASME	30 x 54	81	26	2.6	2" NPT	50	6	4 x 6	1" NPT	4 x 6	6	325
UQ-3060(?) -2B-ASME	30 x 60	87	29	2.6	2" NPT	55.75	6	4 x 6	1" NPT	4 x 6	6	345
UQ-3054(?) -3B-ASME	30 x 54	84	26	2.6	3" NPT	50	9	4 x 6	1" NPT	6 x 8	8	340
UQ-3060(?) -3B-ASME	30 x 60	90	29	2.6	3" NPT	55.75	9	4 x 6	1" NPT	6 x 8	8	360
UQ-3660(?) -3B-ASME	36 x 60	95	43	4.6	3" NPT	55.75	9	12 x 16	1" NPT	6 x 8	7	525
UQ-3672(?) -3B-ASME	36 x 72	107	50	4.6	3" NPT	67.75	9	12 x 16	1" NPT	6 x 8	7	605
UQ-4260(?) -3B-ASME	42 x 60	97	60	7.2	3" NPT	55.75	9	12 x 16	1" NPT	6 x 8	7	700
UQ-4272(?) -3B-ASME	42 x 72	109	70	7.2	3" NPT	67.75	9	12 x 16	1" NPT	6 x 8	7	765
UQ-4860(?) -4B-ASME	48 x 60	104	80	10.2	4" NPT	55.75	12	12 x 16	2" NPT	4 x 6	6	1025
UQ-4872(?) -4B-ASME	48 x 72	116	93	10.2	4" NPT	67.75	12	12 x 16	2" NPT	4 x 6	6	1120
UQ-5460(?) -4B-ASME	54 x 60	109	107	14.2	4" NPT	55.75	12	12 x 16	2" NPT	4 x 6	6	1200
UQ-5472(?) -4B-ASME	54 x 72	121	122	14.2	4" NPT	67.75	12	12 x 16	2" NPT	4 x 6	6	1515
UQ-6060(?) -4B-ASME	60 x 60	111	134	19.2	4" NPT	55.75	12	12 x 16	2" NPT	4 x 6	6	1565
UQ-6072(?) -4B-ASME	60 x 72	123	154	19.2	4" NPT	67.75	12	12 x 16	2" NPT	4 x 6	6	1725
UQ-6660(?) -4B-ASME	66 x 60	115	167	25.1	4" NPT	55.75	12	12 x 16	2" NPT	4 x 6	6	2040
UQ-6672(?) -4B-ASME	66 x 72	127	190	25.1	4" NPT	67.75	12	12 x 16	2" NPT	4 x 6	6	2228
UQ-7260(?) -4B-ASME	72 x 60	117	203	32.2	4" NPT	55.75	12	12 x 16	2" NPT	4 x 6	6	2525
UQ-7272(?) -4B-ASME	72 x 72	129	230	32.2	4" NPT	67.75	12	12 x 16	2" NPT	4 x 6	6	2760

(?) Substitute P for epoxy lined and primed; or C for epoxy lined and finish coated in safety blue epoxy. Example: UQ-2460P-2B is 24 x 60 lined and primed.

* Head Volume includes the straight flange of the head.

The above listed tanks are usually available in 7 to 10 days. Custom tanks (see Form 1194C - Steel Tank Config) take 4 to 6 weeks.

Flanges and other sized openings also available (see Form 1194C - Steel Tank Config).

Galvanized and stainless steel tanks also available. Contact your SWT representative for more information.