

AIR INJECTORS



MICRONIZER VENTURI AIR INJECTOR

Micronizer is designed to be installed in the water line just prior to the inlet of the hydropneumatic tank it serves. This mechanism is a venturi that draws air into the water line through the air inlet/check valve combination to continually charge the water with air. Excess air in the tank is relieved through an AVC assembly or an optional air vent installed in the tank.

Micronizer is shipped with the indicator arrow set at 15 degrees on the dial. This slightly closes the larger of the two open holes inside to create a pressure differential that allows air to be drawn into the water line. The amount of air drawn in and draw time is adjusted with the adjustment knob.

Do not assume a 30 degree setting means a 30% suction time.

Properly installed and adjusted, Micronizer will draw air for 30 to 50% of the pump run time. For example, if the pump run time is one minute, a suction can be felt at the air inlet hole for 20 to 30 seconds.

INSTALLATION

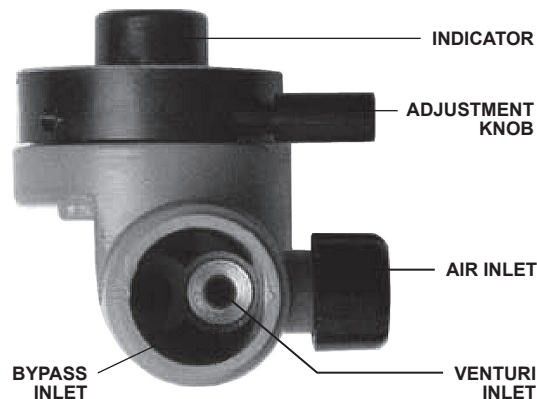
Location: Install in the water line just before going into the hydro-pneumatic tank.

Note: Prior to installation, be sure the pump delivers a minimum of 5 gpm.

1. Install Micronizer in the water line between the pump and the tank, or just ahead of the tank.
2. Turn on the pump and let the pump cycle several times.
3. Place a finger over the air inlet hole and time the length of suction. The goal is to achieve suction for 30 to 50% of the pump run time.

Example: If the pump run time is one minute, suction through the air inlet hole should be felt for 20 to 30 seconds. Adjust upwards to increase, downwards to decrease.

4. Following installation and adjustment, several days may be required for sufficient air to enter the tank and operate most efficiently.



Part Number: IM-SSF1
 Pressure Range: 10 to 60 psi
 Flow Range: 5 to 15 gpm
 Connection Size: 1 inch MNPT
 Height: 3.25 inch
 Width: 3 inch
 Length: 5.5 inch

