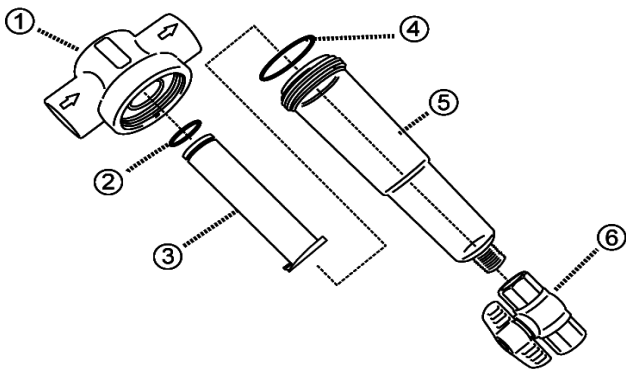


SWT Inline Centrifugal Sediment Filters Material List

Prepared October 30, 2012

Filter Part	Material	Material Certification on File
Body	pvc	NSF 61
Classic Element Cage	pvc	NSF 61
MNT Element Cage	pvc	NSF 61
Clear Cover	lexan	RoHS
CR Cover	special lexan	NSF 61
Hot Water Body	black polypro	letter
Hot Water Element Cage	black polypro	letter
O-rings	buna N	RoHS
Polyester Mesh	polyester	RoHS
SS Mesh Tubes	stainless steel	
PVC Ball Valve / Seals	pvc / epdm	NSF 14
CPVC Ball Valve / Seals	cpvc / viton	NSF 14
Silicone Grease	silicone	NSF 61
Teflon Tape		no water contact

Replacement Parts Available



- | | |
|-------------------|-----------------|
| 1. Body | 4. Cover O-ring |
| 2. Element O-ring | 5. Cover |
| 3. Element | 6. Purge Valve |